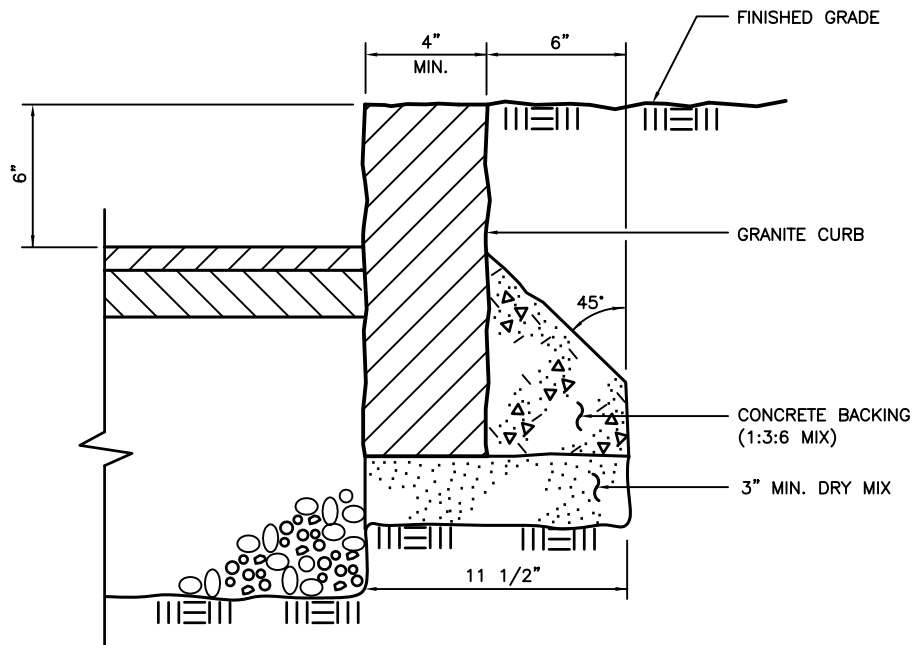


**CONCRETE CURB**



**GRANITE CURB**

**CONCRETE CURB AND GRANITE CURB**

**SNIEDZE ASSOCIATES, CONSULTING ENGINEERS  
CANANDAIGUA, NEW YORK**

**SCALE: 1 1/2" = 1'-0"**

**MAY 2007**

**RS-3**