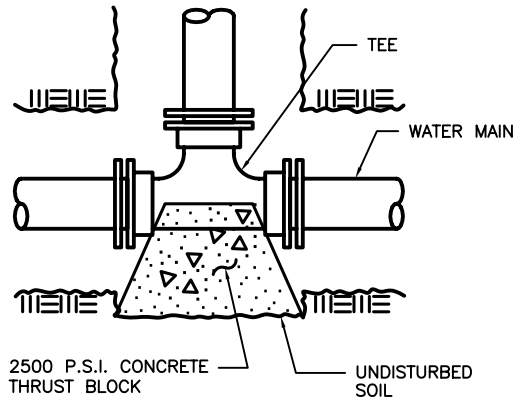
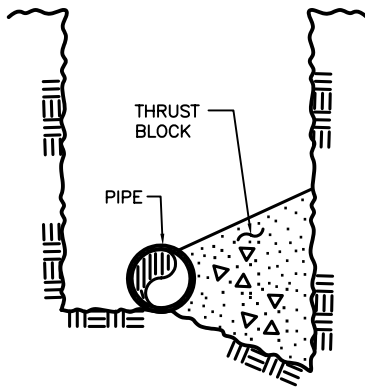


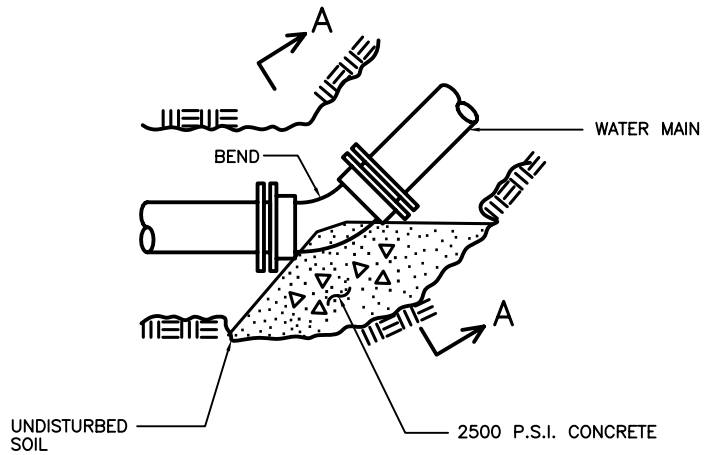
THRUST BLOCK FOR PLUG



THRUST BLOCK FOR TEE



SECTION A-A



PLAN

TYPICAL THRUST BLOCK FOR BENDS

MINIMUM THRUST BLOCK AREA BASED ON 200 PSI OF WATER PRESSURE & SAFE BEARING LOAD OF 2000 LBS/FT.					
PIPE I.D. IN	TEES PLUGS	90° BEND	45° BEND	22½° BEND	11½° BEND
6	3	4	2	1	—
8	5	6	3	2	1
10	7	9	5	3	2
12	9	12	7	4	3

THRUST BLOCKING

SNIEDZE ASSOCIATES, CONSULTING ENGINEERS
CANANDAIGUA, NEW YORK

NOT TO SCALE

MAY 2007

WS-4